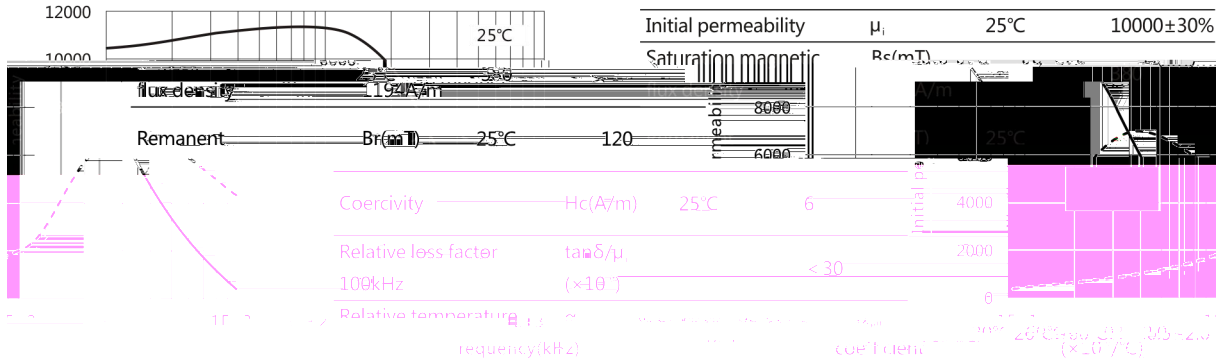
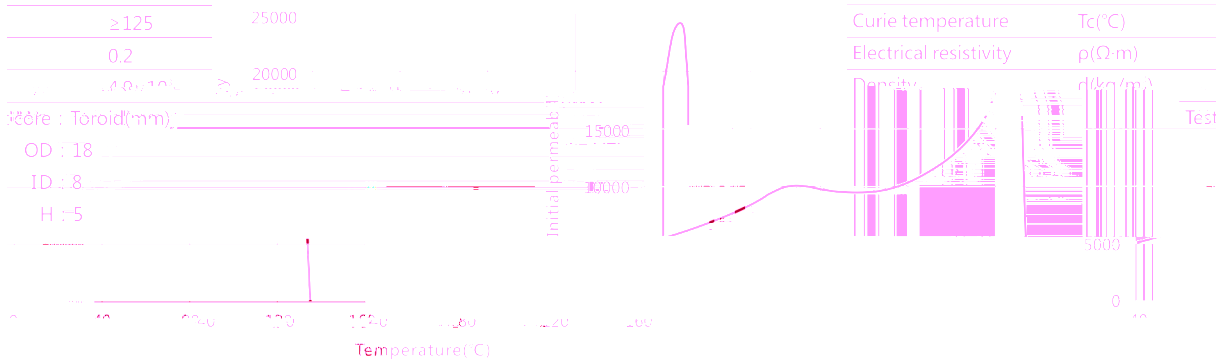


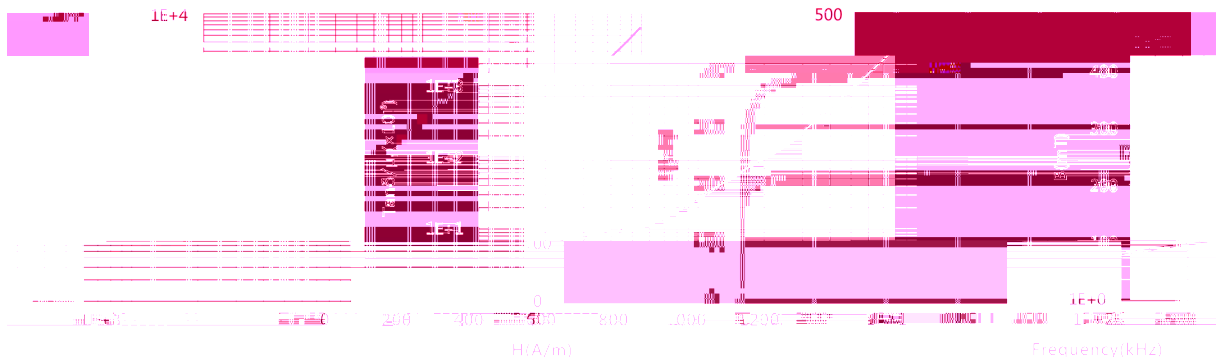
**$\mu'$  ( $\mu''$ )-Frequency**



**$\mu$ -Temperature**

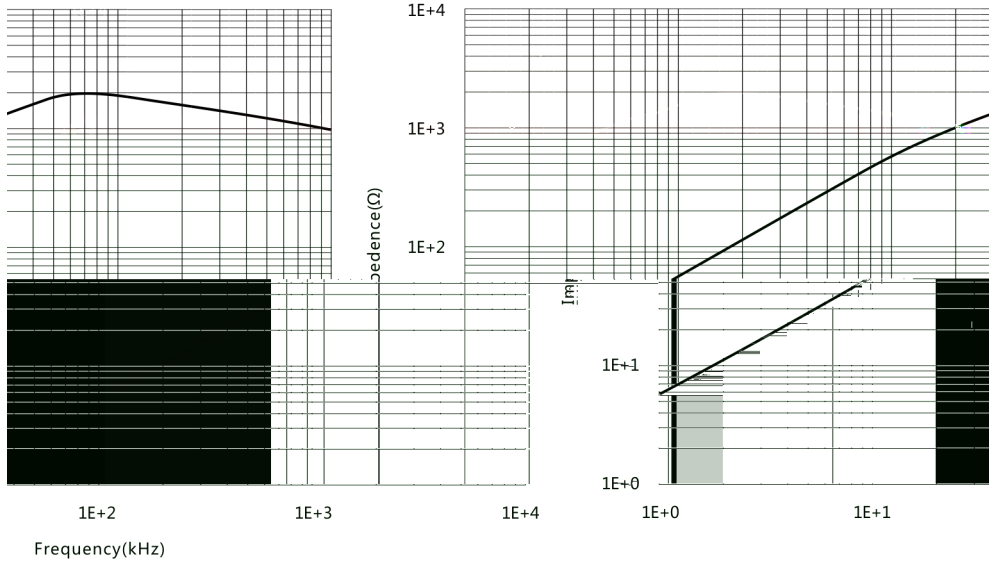


**$\tan\delta/\mu$ -Frequency**



**Z-Frequency**

N=10TS  $\phi$ 0.35mm T=25°C



**Bs-Temperature**

H=1194A/m

